

⚠ WARNING

WARNING! Never leave your child unattended. Always keep your child in view when they're in the stroller.

WARNING! Always use the restraint system.

WARNING! Ensure that all locking devices are engaged before use.

WARNING! To avoid injury ensure that your child is kept away when unfolding and folding this product.

WARNING! Only place one child in one stroller.

WARNING! This stroller is suitable for babies between 7-36 months.

WARNING! The seat unit is not suitable for children under 6 months.

WARNING! Do not load more than 33 lbs in stroller seat.

WARNING! Do not load more than 11 lbs in stroller basket.

WARNING! Any load attached to the handle affects the stability of the pram/pushchair.

WARNING! Ensure that the parking brake is engaged before placing your child in, or removing your child from the stroller.

WARNING! Only use spare parts provided by the manufacturer or distributor

WARNING! This product is not suitable for running or skating.

WARNING! Please keep away from fire

WARNING! Do not let your child play with this product.

WARNING! Keep the plastic cover away from children to avoid suffocation.

WARNING! Do not push or pull stroller by a bicycle, motorbike or car in order to avoid damage to the stroller.

WARNING! Do not use accessories that are not approved by the manufacturer

WARNING! Do not let your child remain in the stroller unsupervised in order to avoid serious injuries from falling or sliding out.

évolur

evolving with your baby

USER MANUAL

521 VOYAGER



Scan the QR code to register your product

<https://www.evolorbaby.com/customer-care/product-registration/>



Please read this owner's manual carefully and keep it in a safe place.

Évolur

1532, S. Washington Ave, Piscataway, NJ 08854

Email: info@evolorbaby.com

www.evolorbaby.com

⚠ WARNING

IMPORTANT- READ THESE INSTRUCTIONS CAREFULLY BEFORE USE AND KEEP THEM FOR FUTURE REFERENCE. YOUR CHILD'S SAFETY MAY BE AFFECTED IF YOU DO NOT FOLLOW THESE INSTRUCTIONS.

Name of parts _____

Folding button _____

Pushing handle _____

Canopy _____

Folding hook _____

Bumper bar _____

Handlebar _____

Safety belt _____

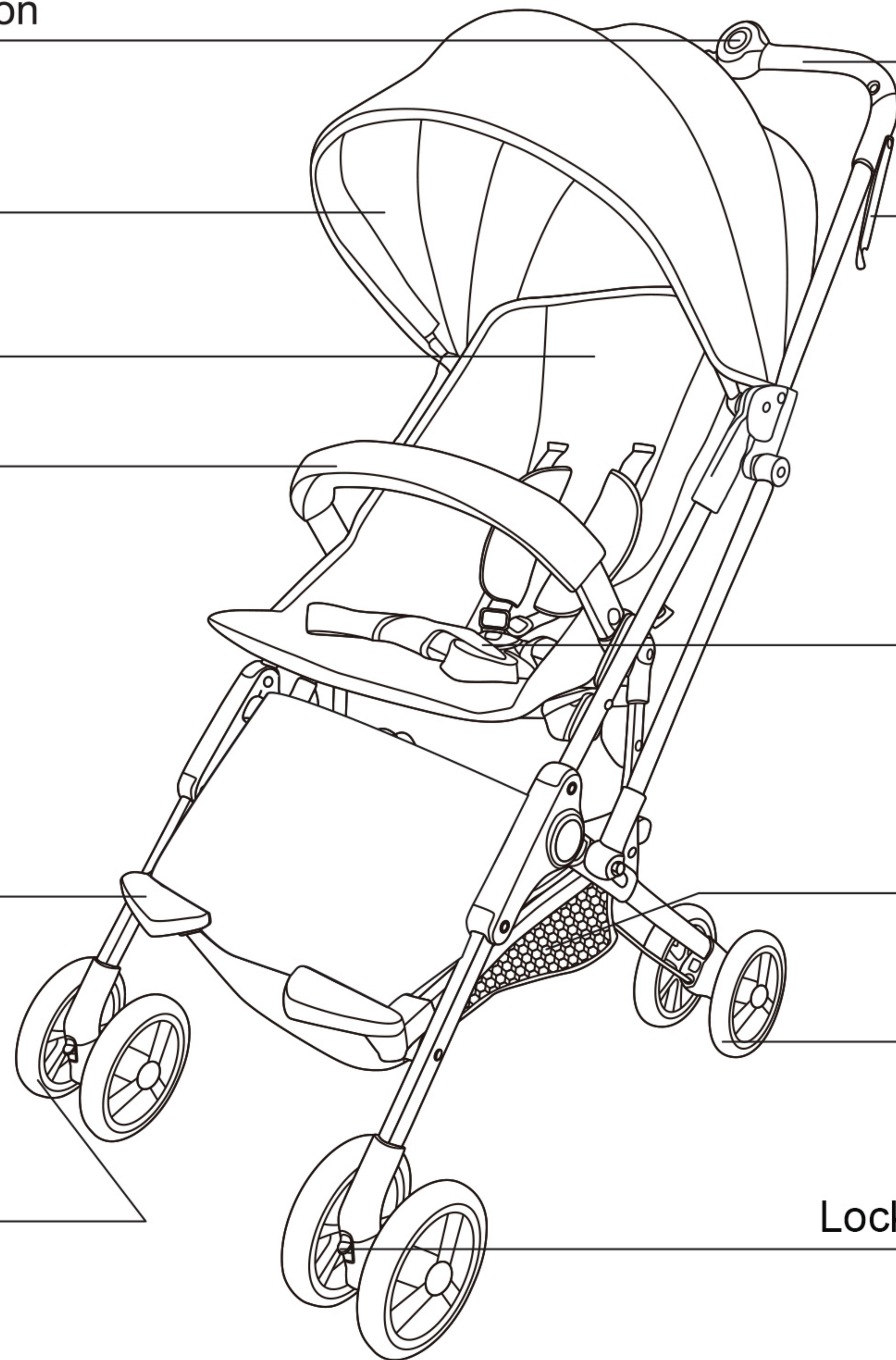
Foot rest _____

Basket _____

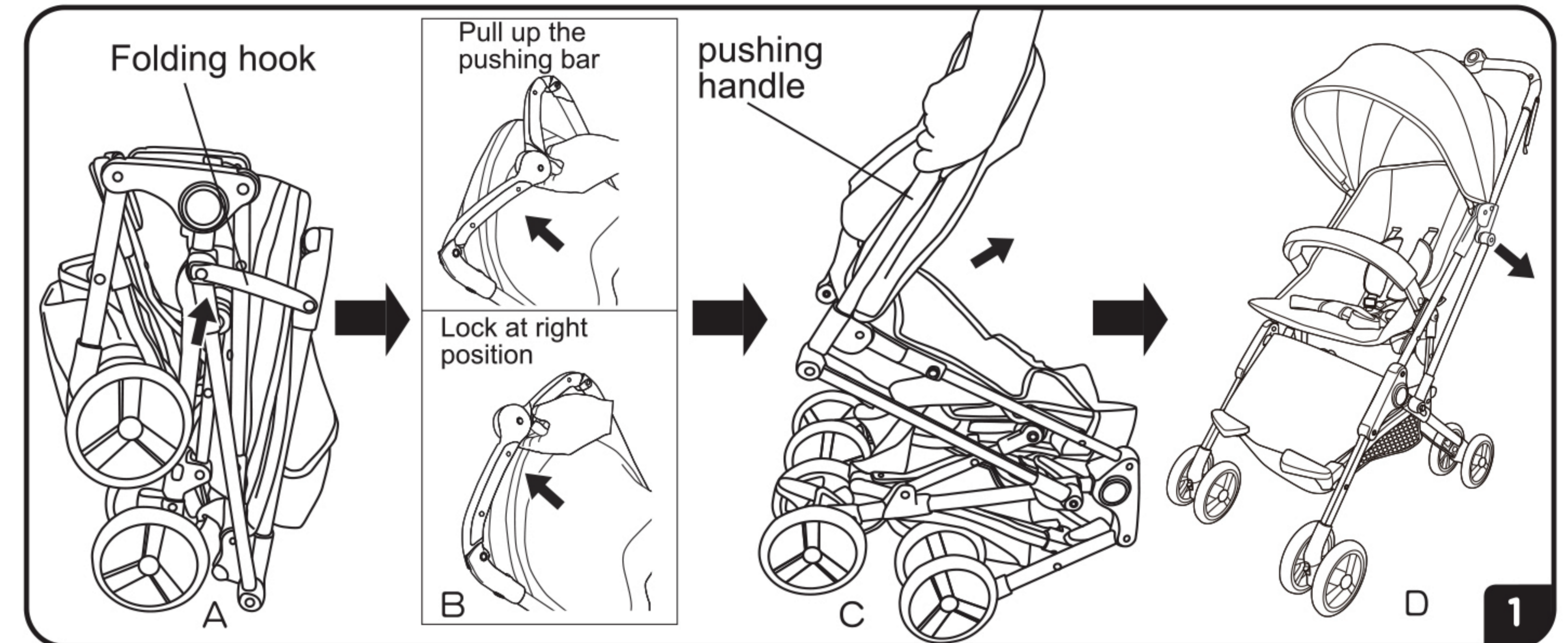
Rear wheel _____

Front wheel _____

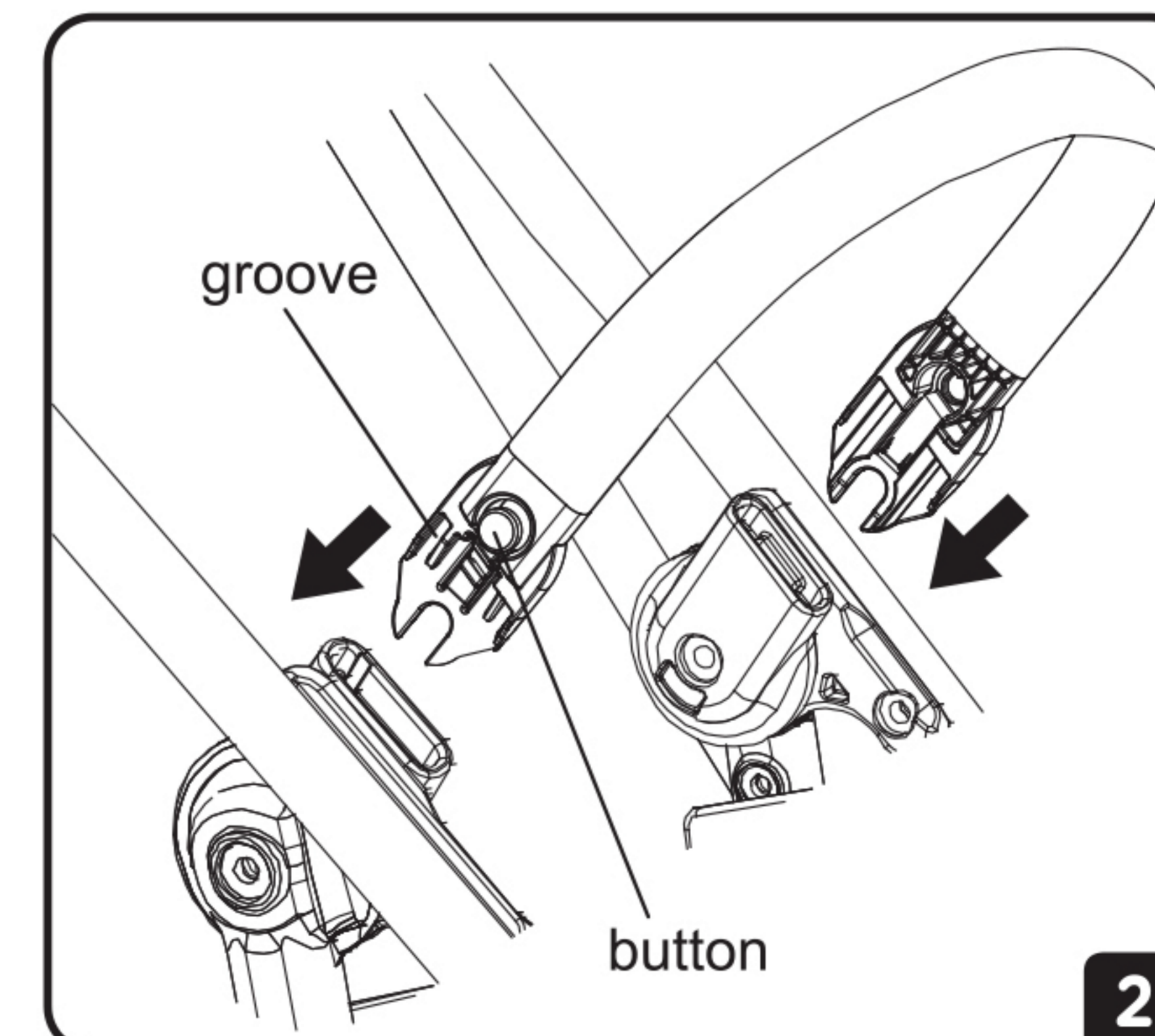
Lock direction button _____



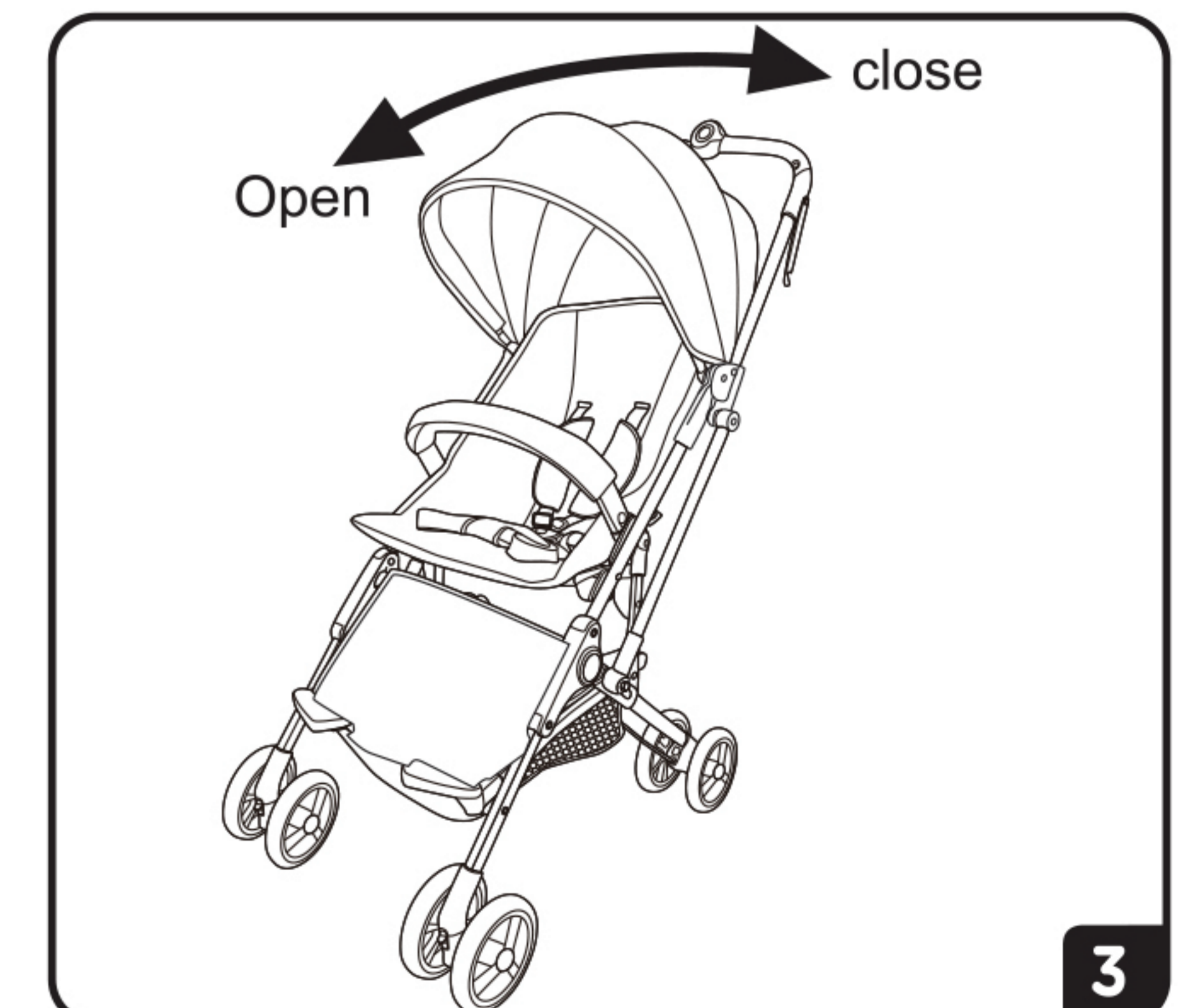
Open and assembly _____



Open the stroller: Loosen the folding hook according to the direction of the arrow as shown in Figure A. Open the stroller frame halfway through as shown in Figure C. Elevate the pushing bar in the direction of the arrow as shown in Figure B until you hear a 'click'. Now hold the pushing handle with both your hands to open the frame. At this point, the stroller will open fully as shown in Figure D. Finally, press both sides of the pushing handle as shown by the arrow in Figure D to ensure that both sides are firmly locked in place.



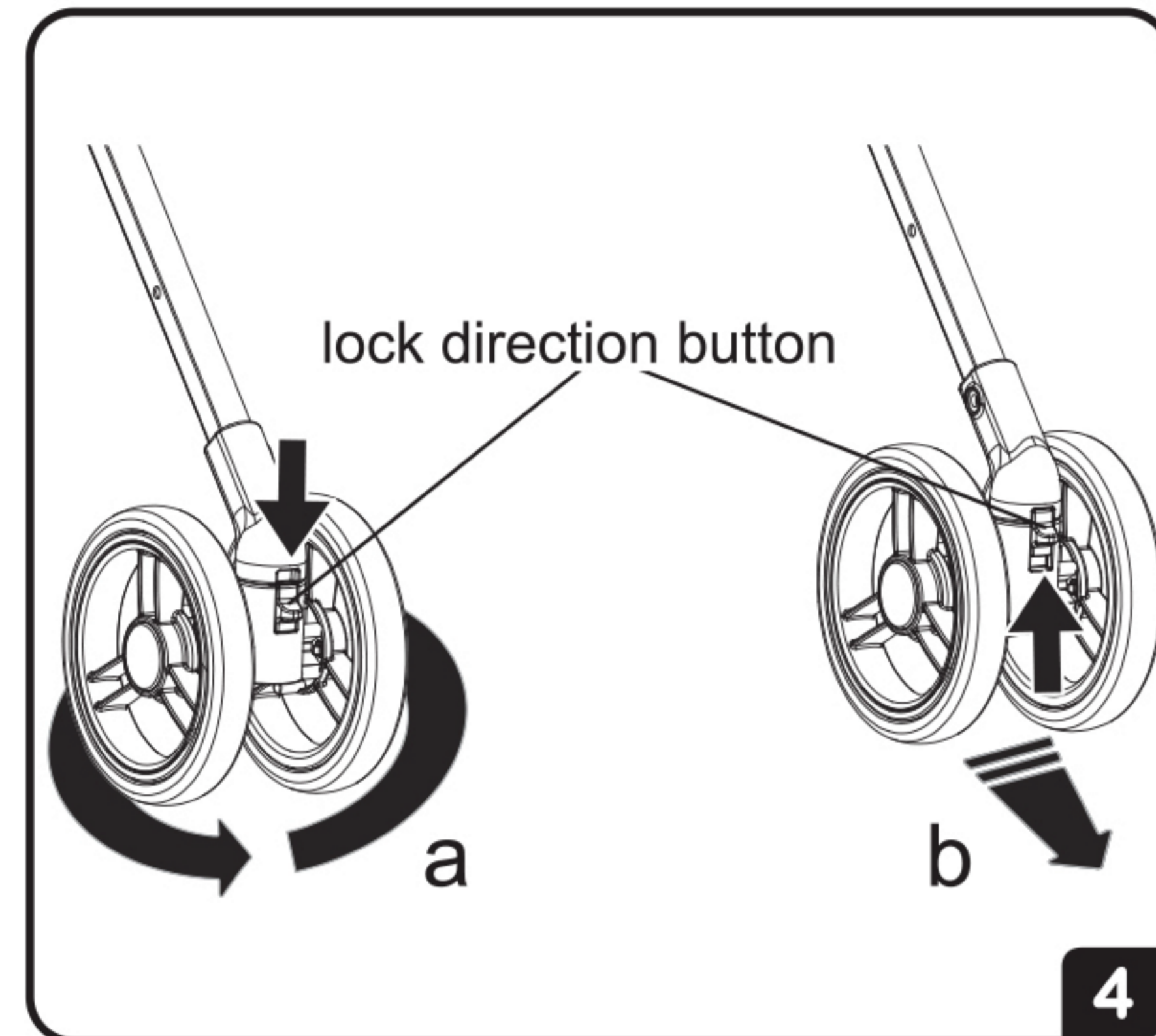
2 Install or remove the front bumper bar: Insert the front bumper bar into the mounts on each side of the stroller until you hear a 'click' to indicate that the handlebar is installed in place. Note that the grooved side should be on top.



3 Use of Canopy: To open or close canopy, push the canopy forward or rearward of the stroller.

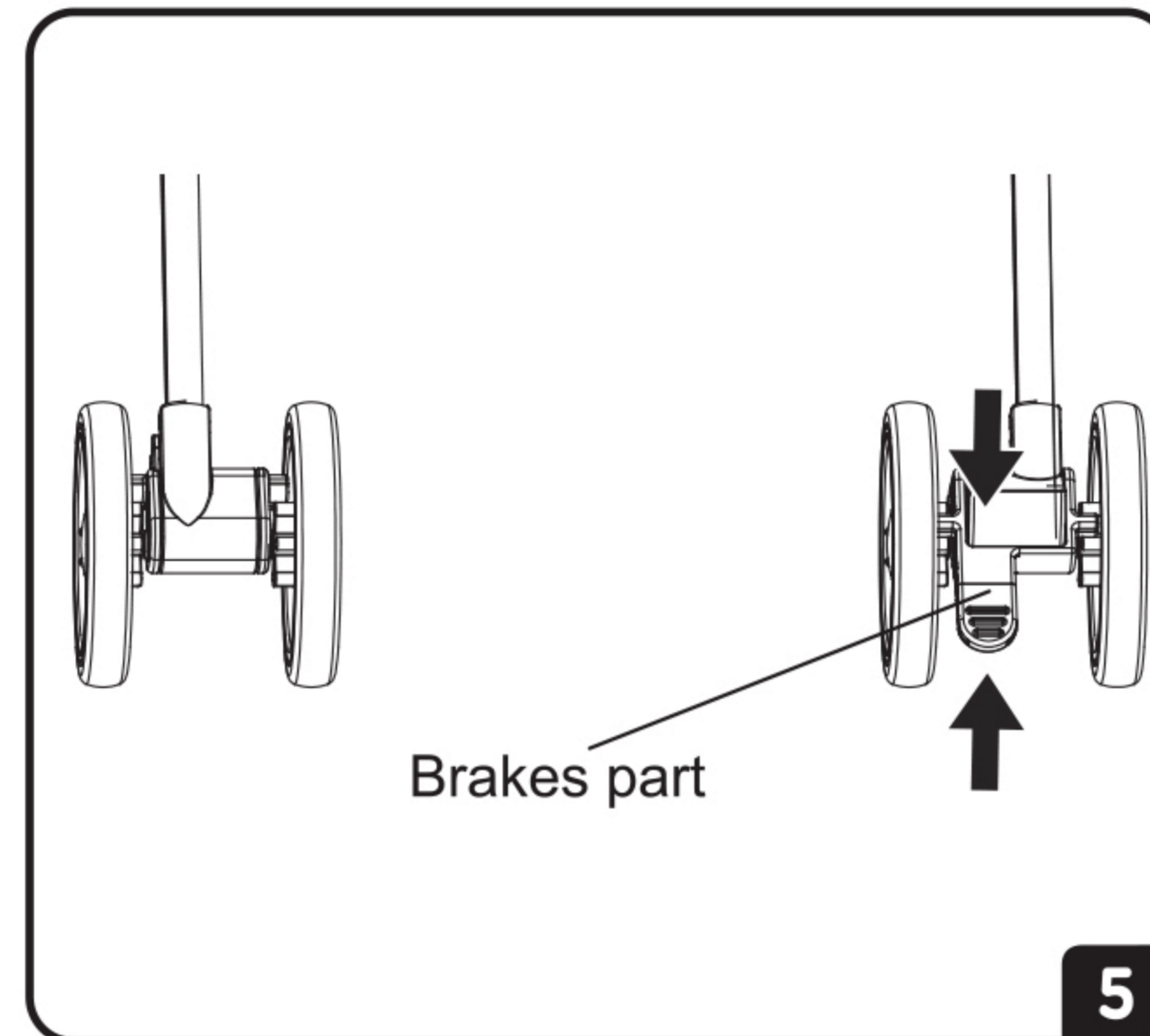
To remove the handlebar, simply press the buttons on each side of the handlebar and lift it up and out.

Assembly



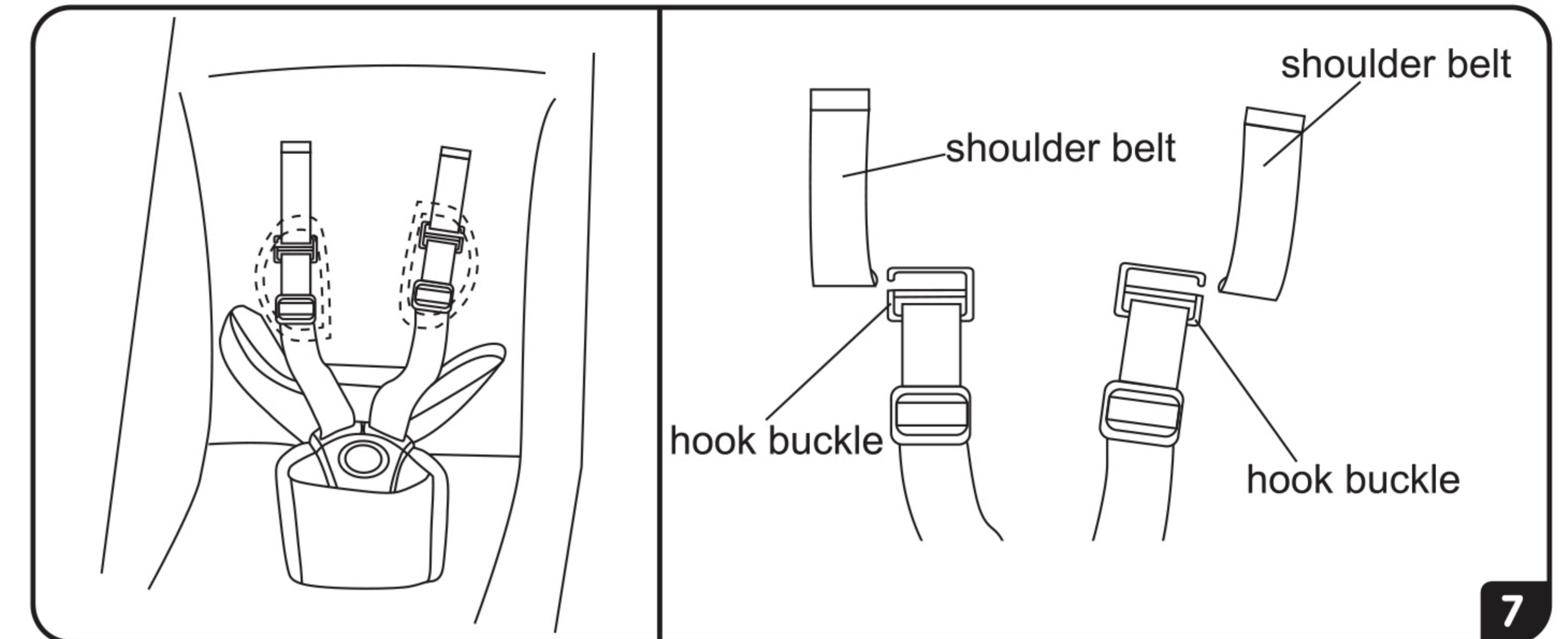
4 Front wheel swiveling: Press down on the lock direction button located on the front wheel in order to enable swiveling. The wheels will swivel as shown in 'a' in the figure.

To prevent swivel, push the lock direction button upwards. This will freeze the swivel in the current wheel orientation.

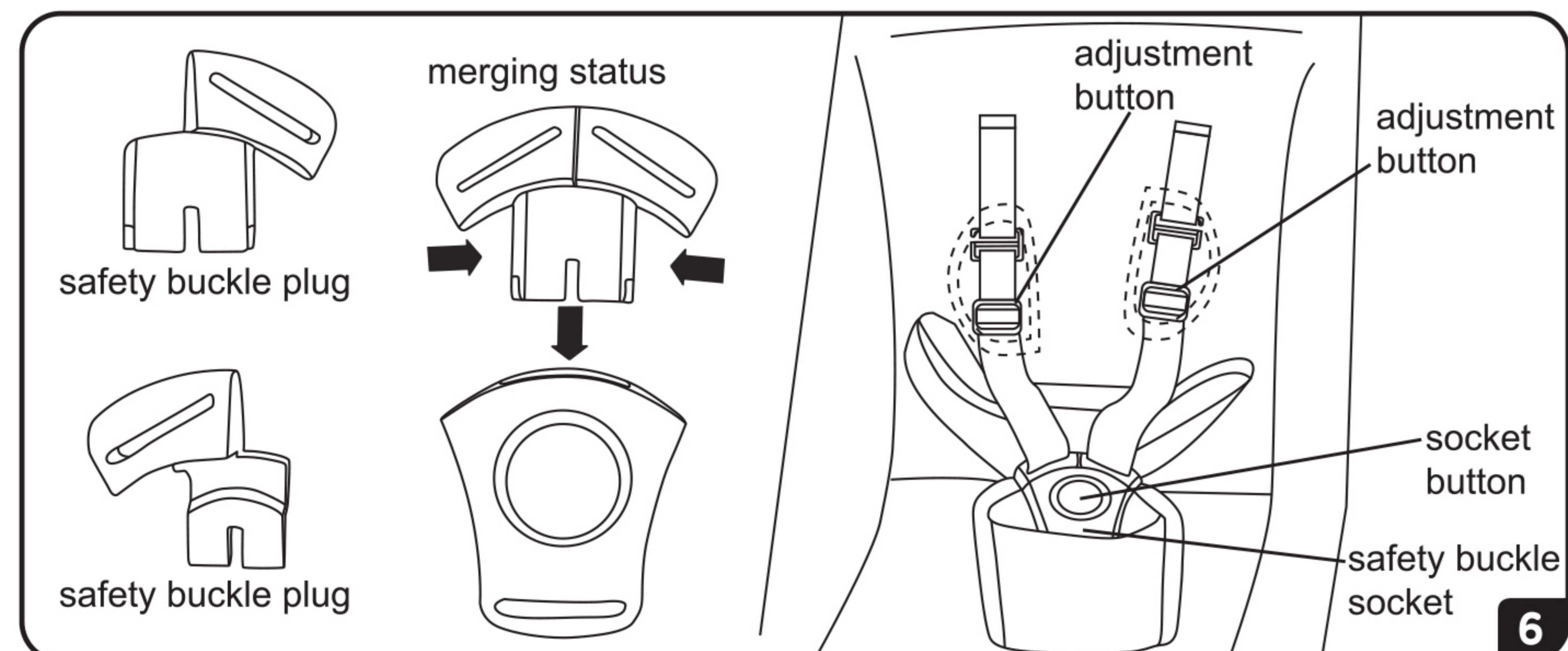


5 Use of brakes on rear wheel: In order to brake, step on the rear wheel braking device. In order to release the brake, simply lift the braking device up. For the stroller to remain stationary, the braking device must remain down.

Assembly



7 Assembly/ remove the shoulder belt : Hang up / remove the hook buckle to/ from the top fixed shoulder belt to assembly or remove the lower sholder belt.



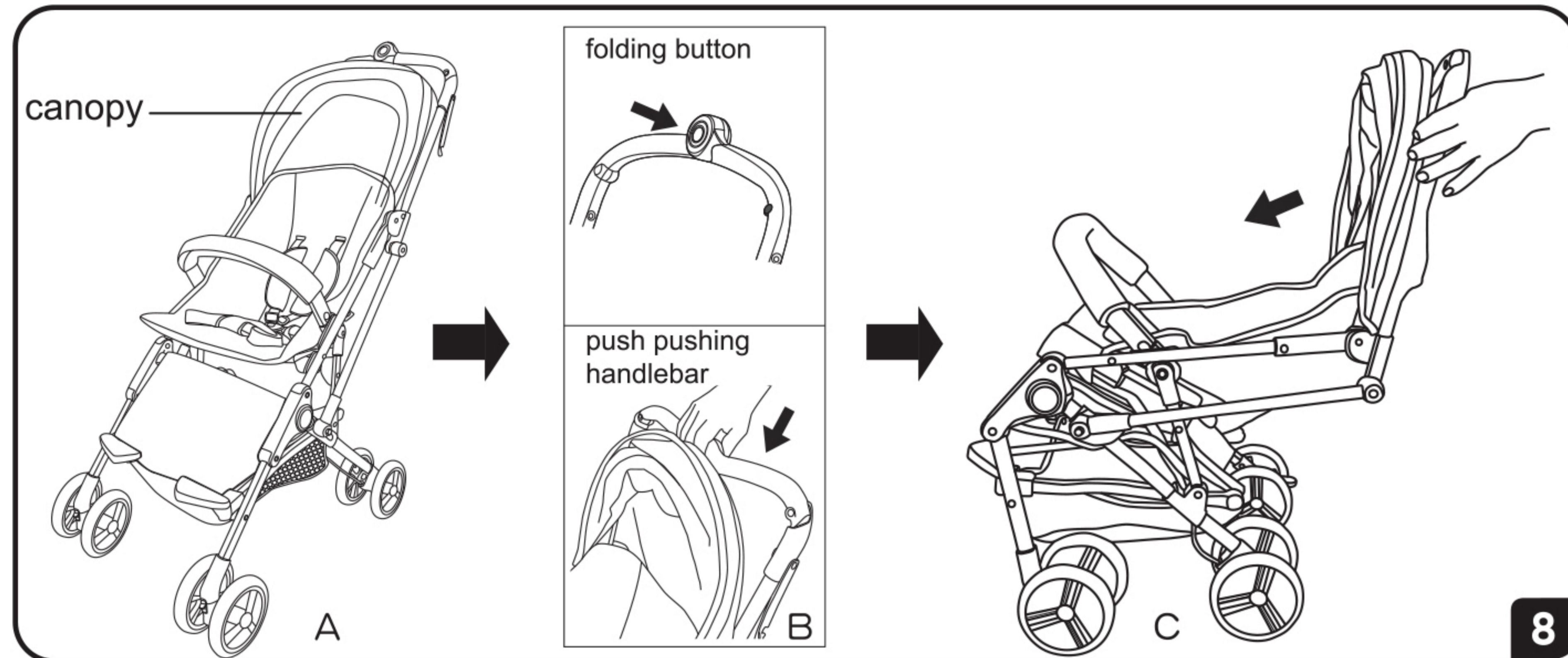
6 Use of Five point safety belts:

Fastening: Insert the safety buckle plug into the safety buckle socket; You will hear a "Click" when they are connected tightly.

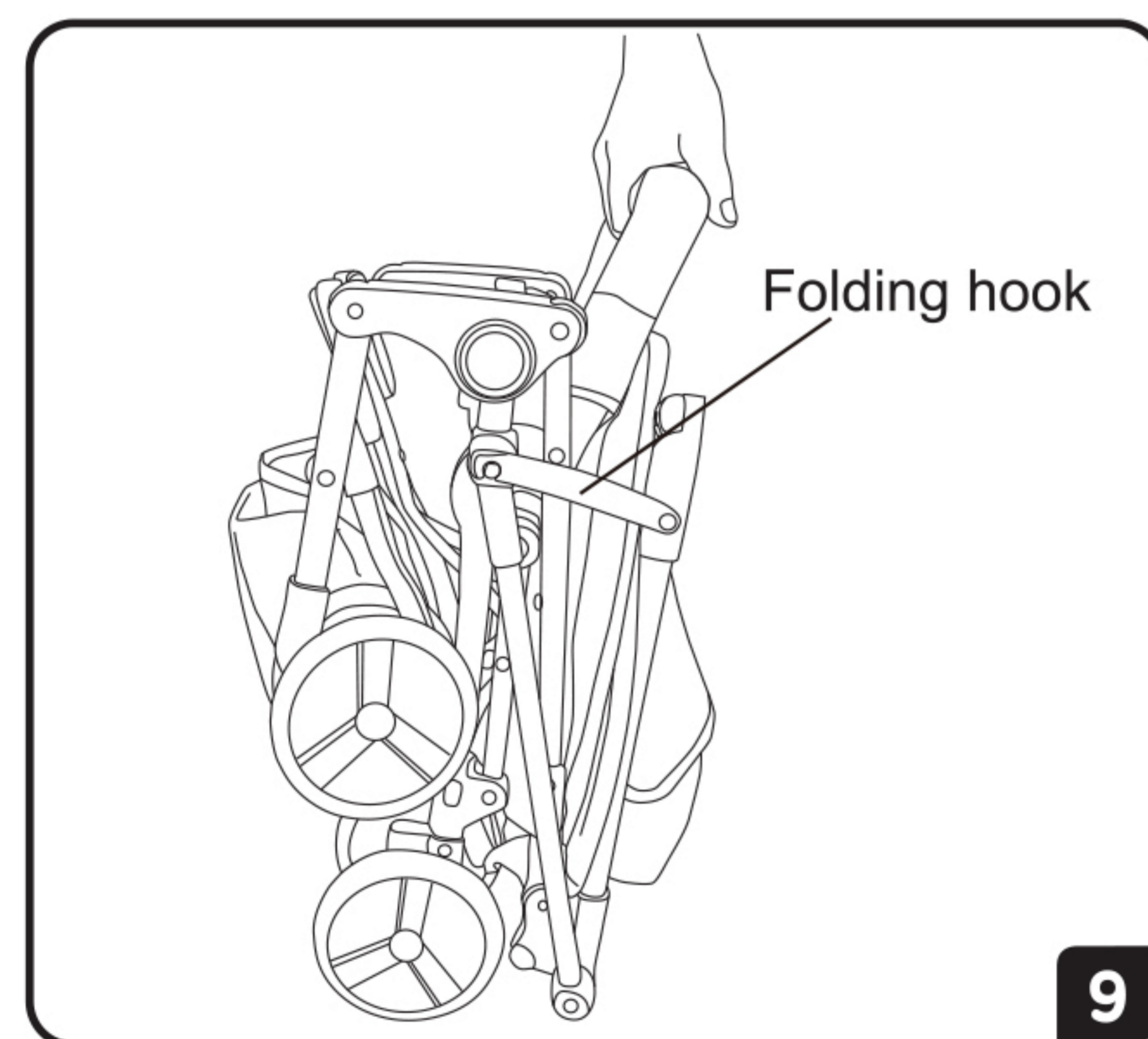
Open: Press the socket button to open the plug (as picture ten shows).

Adjust length: If you need to adjust the belt length, please hold down the adjustment button and pull the belt.

Fold



- 8 Fold the canopy as shown A, press the folding button and press the pushing handlebar as shown B, Hold the pushing handle on the both sides of stroller and press the stroller downward according to the direction of arrow as shown C.



- 9 Use of folding hook: As picture eight shows, when a stroller is folded, folding hook must be hung on the cylinder.

Instruction Warning

Make sure that every accessory is firmly installed in place before use. Do not let kids stand on the chair or climb out of the fence of the stroller.

Keep away from fire, rugged terrain and dangerous places
Do not use or store in frigid, hot or humid environments

Maintain Service Policies

Take proper care of and maintain your stroller well in order to make sure the stroller is safe for using.

The fabric parts of the stroller cannot be washed. To clean the fabric, use a soft brush. The other accessories can be cleaned with warm water and household soap.

Check the parts of your strollers regularly for damage or tears. Please change the defective parts and missing/lost parts in a timely manner.

Please read the instructions carefully before assembly in order to avoid damage to parts.

Guaranteed for one year(basis of the anti-fake code and proof of purchase.).



1532, S. Washington Avenue
Piscataway, NJ 08854
E-mail: info@evolurbaby.com

www.evolurbaby.com

Follow us on

 @EvolurBaby  @evolurbaby

to get your nursery featured on our social media.

Enter our monthly giveaway!

Simply scan the QRcode to register.



Chat with us!

For any questions or concerns or feedback.

