

AUROLA

Convertible Crib

Owner's Manual



Scan the QR code to register your product

<https://www.evolorbaby.com/customer-care/product-registration/>



Read all instructions before
assembling and using product.

IMPORTANT - Keep Instructions
for future use.

évolur
evolving with your baby

0821R2-EV832

SAFE SLEEP TIPS



Adult Assembly Required.



Small parts may present choking hazard prior to assembly.



DO NOT use the product if it is damaged, broken, and/or components are missing or broken.



Please read the instructions thoroughly. Identify all parts & hardware.



Do Not Use Power Drills or Drivers.



To protect your parts during assembly please place them on a soft surface.



For a Safe and comfortable Sleep experience, we suggest using Evolur Green Gaurd Gold Snug Fit Full-Size Mattress.



To clean surface, use only water on a damp cloth. Do not use window cleaner or cleaning abrasive as it will scratch the surface and could damage the protective coating.



Contact Evolur Inc In case of any assistance needed.

THANK YOU...!

.... for choosing **Evolur** and congratulations on joining our family; a family that has been transforming lives for 30 years! We appreciate your feedback and wish you the very best in the coming years with your new addition. If you have any questions or concerns please don't hesitate to reach out to us. One of our trusted Customer Care representatives will be happy to assist you. Thank you again for entrusting us to supply you with safe, and affordable baby products and accessories.

LIMITED WARRANTY:

- Evolur warrants its product to be free from defects in material and workmanship and agrees to remedy any such defect.
- This warranty covers 1 year from the date of original purchase.
- This warranty is valid only upon presentation of proof of purchase.
- This is solely limited to the repair or replacement of defective furniture components and no assembly labor is included.
- This warranty does not apply to any product which has been improperly assembled, subjected to misuse or abuse or which has been altered or repaired in any way.
- This warranty gives you specific legal rights and you may also have other rights which vary from State to State.

WARNINGS

⚠ WARNING

Failure to follow these warnings and assembly instructions could result in serious injury or death.

- To reduce the risk of sids, pediatricians recommend healthy infants be placed on their backs to sleep, unless otherwise advised by your physician.
- Check this product for damaged hardware, loose joints, missing parts or sharp edges before and after assembly and frequently during use.
- **DO NOT** use this crib if any parts are missing, damaged or broken. Contact évolur - 1532 s.Washington ave, Piscataway, NJ 08854 for replacement parts.
- **DO NOT** use a water mattress with this crib.
- Read all instructions before assembling crib. Keep instructions for future use.
- If refinishing, use a non-toxic finish specified for children's products.
- Day-Bed Conversion : When converting the crib to day-bed, stabilizer bar along with the guard rail manufactured by Evolur inc. must be used.
- Toddler-Bed Conversion : When converting the crib to day-bed, stabilizer bar along with the guard rail manufactured by Evolur inc. must be used.
- Full-size Bed With Footboard Conversion : When converting the crib to Full-Size Bed with Footboard, Full Size Bed Rail Manufactured by Evolur inc, must be used.

STRANGULATION HAZARD:

- Strings cause strangulation! **DO NOT** place items with a string around a child's neck, such as hood strings or pacifier cords. Do not suspend strings over a crib or attach strings to toys.
- To help prevent strangulation tighten all fasteners. A child can trap parts of body or clothing on loose fasteners.
- **DO NOT** place crib near window where cords from blinds or drapes may strangle a child.
- Infants can suffocate on soft bedding.

WARNINGS (cont.)

⚠ WARNING

- Never add a pillow, comforter or padding.
- Never place additional padding under infant.
- Never use plastic shipping bags or any plastic film as mattress covers, because they can cause suffocation.
- Infants can suffocate in gaps between crib sides and a mattress that is too small. Any mattress used in this crib must be at least 27-1/4 in (69 cm) by 51-5/8 in (131 cm), with a thickness not exceeding 6 in (15cm) and a minimum thickness of 4 in (10 cm). The dimensions of the mattress shall be taken from seam to seam or edge to edge where appropriate.

FALL HAZARD:

- When child is able to pull to standing position, set mattress to lowest position and remove bumper pads, large toys and other objects that could serve as steps for climbing out. After raising side, make sure latches are secure (disregard for non-drop side crib).
- **DO NOT** leave child in crib with sides lowered. Be sure side is in raised and locked position whenever child is in crib (disregard for non-drop side crib).
- Stop using crib when child begins to climb out or reaches the height of 35 in (89 cm).
- When storing crib use caution as extreme changes in temperature or humidity can compromise the crib making it extremely dangerous to your child.
- Use caution when a vaporizer or humidifier is in use. Always aim vapor away from the crib as well as any other wooden furniture. Prolonged periods of humidity in storage as well as in the home can compromise crib.
- Avoid using vaporizers and humidifiers for prolonged periods of time.
- Follow warnings on all products in crib.
- **DO NOT** use this crib if you cannot exactly follow the instructions.

WARNINGS (cont.)

⚠ WARNING

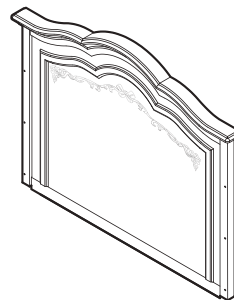
- **DO NOT** use this crib for a child who can climb out of it or who is taller than 90 cm.
- **DO NOT** place in or near this crib any cord, strap or similar item that could become wrapped around a child's neck.
- **DO NOT** place this crib near a window or a patio door where the child could reach the cord of a blind or curtain and be strangled.
- Ensure that the sides of this crib are properly latched or locked in appropriate position where the child is left unattended in it.
- Check this crib regularly before using it and do not use it if any parts are loose or missing or if there are any signs of damage. Do not substitute parts. Contact the manufacturer if replacement parts or additional instructions are needed.
- Use a crib mattress that is no thicker than 15 cm and is of such a size that, when it is push firmly against any side of crib, it does not leave a gap of more than 3 cm between the mattress and any part of the sides of the crib.
- Children can suffocate on soft bedding. **DO NOT** place pillows, comforters or soft mattress in this crib.

FOR TODDLER BED USE :

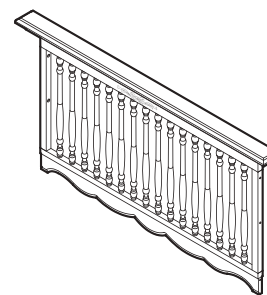
- Failure to follow these warnings and assembly instructions could result in serious injury or death from entrapment or strangulation.
- **DO NOT** place bed near windows where cords from blinds or drapes may strangle a child.
- The mattress intended for use on this bed shall be a full-size crib mattress having the dimensions of 51-5/8 in (1310 mm) in length and 27- 1/4 in (690 mm) in width and thickness of 4 in (100 mm) or greater thickness as specified by manufacturer.
- The minimum age of the intended user shall not be less than 15 months and the maximum weight shall not be greater than 50 lbs. (22.7kg).

PARTS

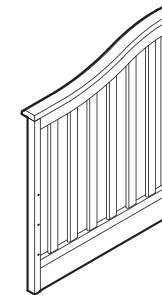
If there are any missing parts, please contact Evolur before using the product.



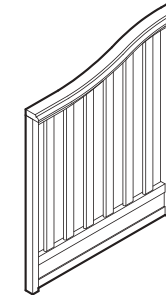
1 Back Panel



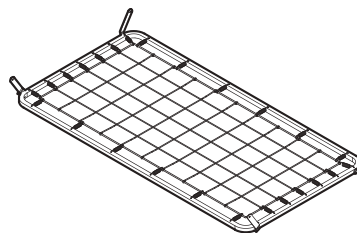
2 Front Panel



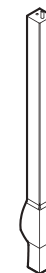
3 Left Panel



4 Right Panel



5 Mattress Support



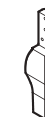
6 Left Front Leg



7 Right Front Leg



8 Conversion Blocks
(Keep parts for Day
bed and Toddler Bed
Conversion)



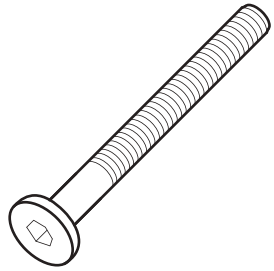
9 Left Rear Leg



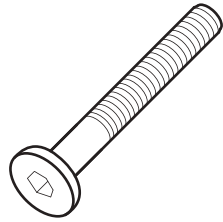
10 Right Rear Leg

HARDWARE

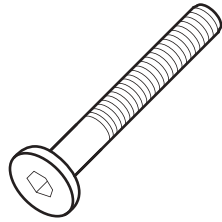
If there are any missing parts, please contact **Evolur** before using the product.



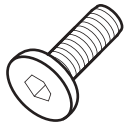
A Screw 2-1/2" (x2)



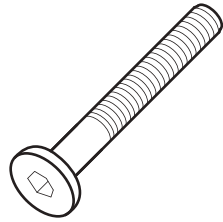
B Screw 1-1/2" (x4)



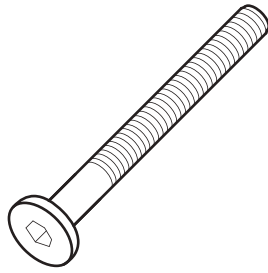
C Screw 1-1/2" (x6)



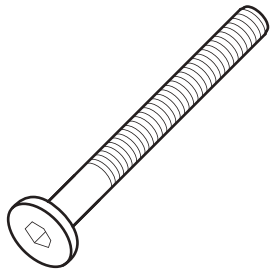
D Screw 5/8" (x4)



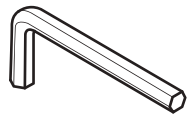
E Screw 1-3/4" (x4)



F Screw 2-3/4" (x2)



G Screw 2-3/8" (x6)



H Allen Key (x1)

CRIB ASSEMBLY - FRONT LEGS ASSEMBLY

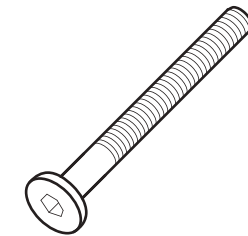
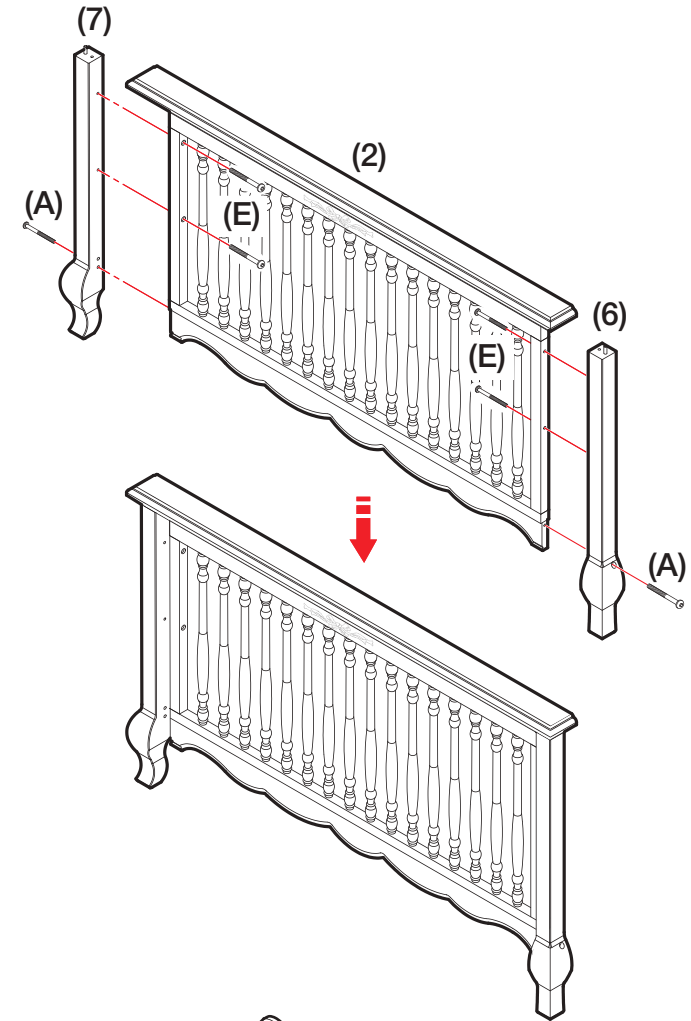
1

1a. Align the Left Front Leg (6) towards the left end of the Front Panel (2). Similarly, Align the Right Front Leg (7) towards the right end of the Front Panel (2).

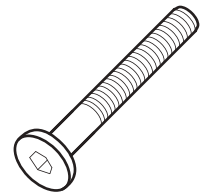
1b. Insert the Screws (A) at the lower hole of both the Left and Right Front Legs as shown in the diagram.

1c. Insert the Screws (E) at the middle and upper hole of both the Left and Right Front Legs as depicted.

1d. Tighten the Screws (A) and (E) using the Allen Key (H) provided.



A Screw 2-1/2" (x2)



E Screw 1-3/4" (x4)

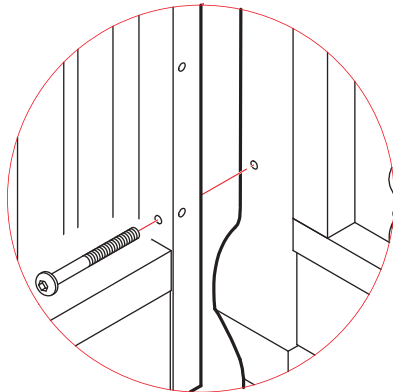
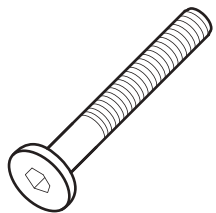
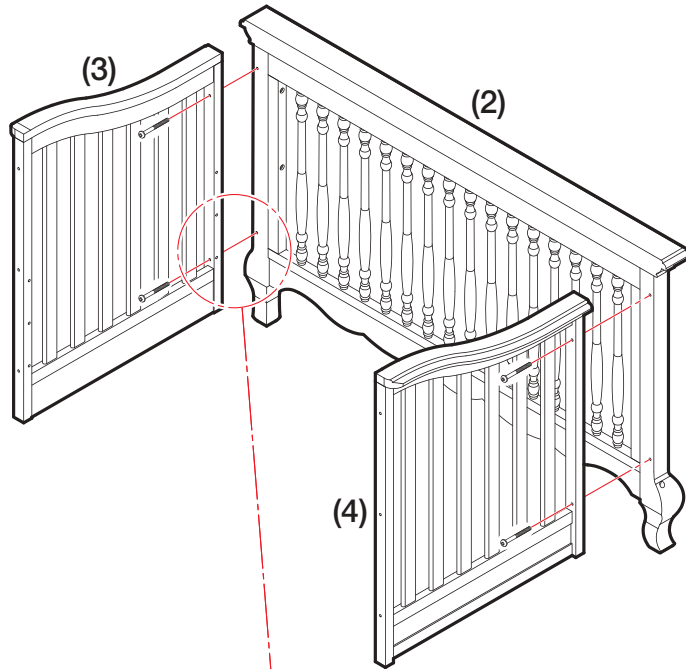
CRIB ASSEMBLY – SIDE PANEL ASSEMBLY

2

2a. To assemble the Left Panel (3) and Right Panel (4) of the Crib, align them to the Front Panel (2) as shown in figure.

2b. Insert the Screws (B) inside the holes provided at the top and the lower end.

2c. Tighten all the four Screws (B) using the Allen key (H).



B Screw 1-1/2" (x4)

CRIB ASSEMBLY – MATTRESS SUPPORT ASSEMBLY

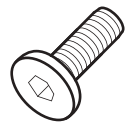
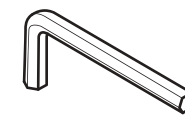
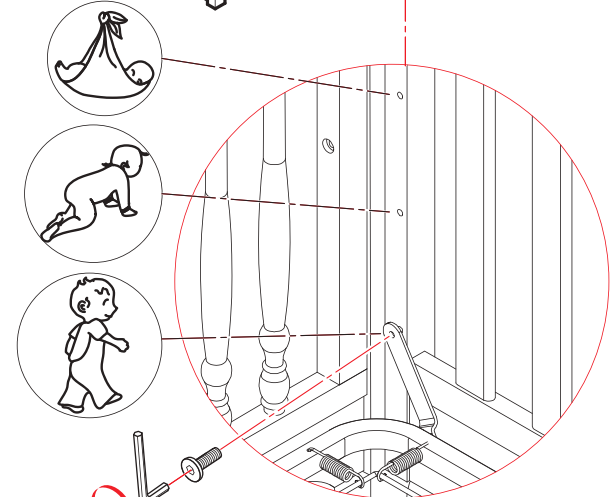
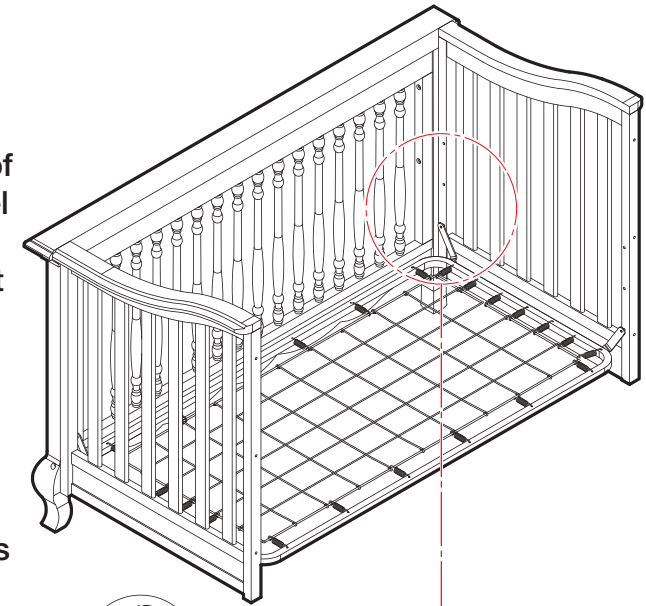
3

3a. Attach all the corners of Mattress Support Panel to the Front Panel (2), Left Panel (3) and Right Panel (4) as shown in diagram.

3b. Insert the Screw (D) and tighten it using the Allen Key (H).

3c. Note that Lowest position of the Mattress Support Panel will be for Toddler (babies who can stand up and walk), Mid position is for Infant babies who start to turn and sit up) and Highest Position is for the New born.

3d. Ensure that the Mattress Support Panel is flat side up and not slant.



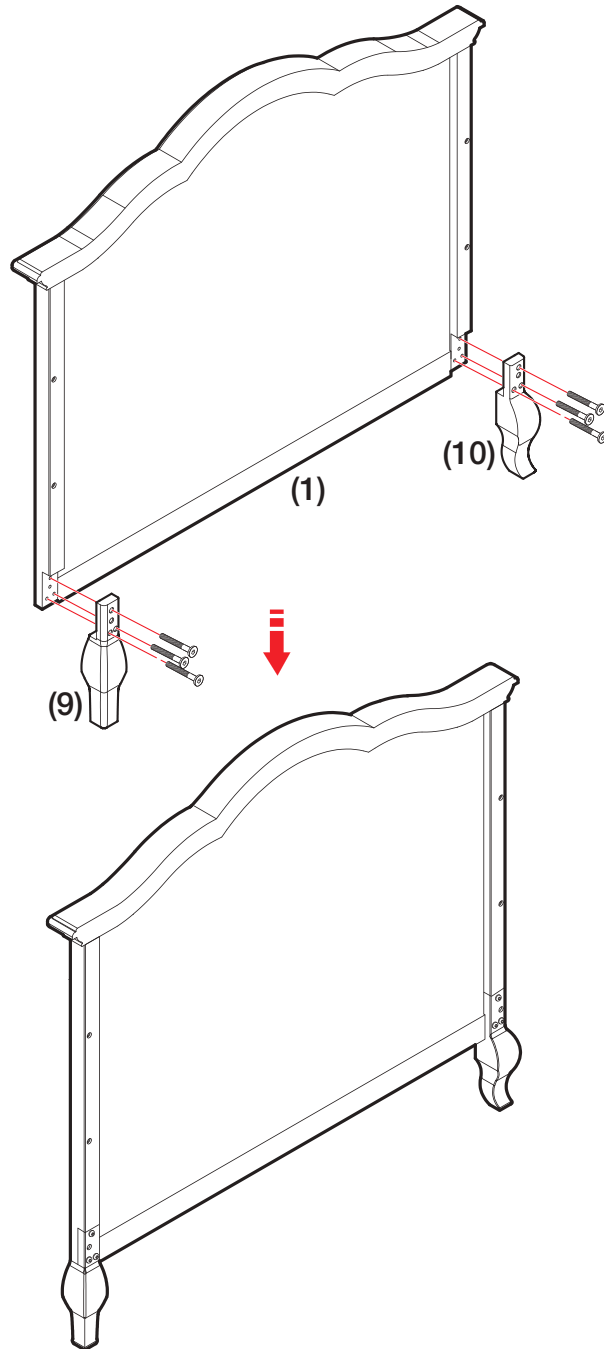
H Allen Key (x1)

D Screw 5/8" (x4)

CRIB ASSEMBLY – REAR LEGS ASSEMBLY

4

- 4a. Align the Left Rear Leg (9) to the bottom left side of the Back Panel (1).
- 4b. Use the Screws (C), to fix the Rear Left Leg to the Back Panel as shown in the picture. Tighten the screws using Allen Key (H).
- 4c. Similarly follow the above steps to fix the Right Rear Leg (10).

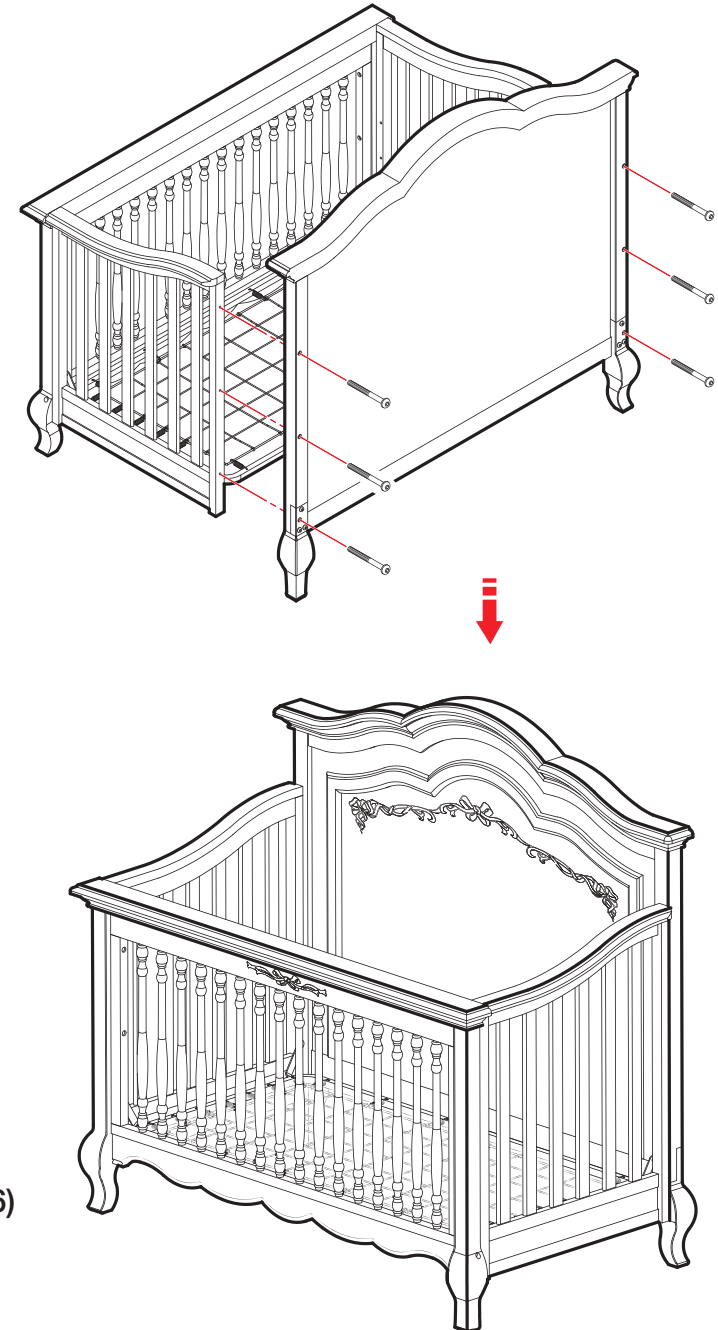


C Screw 1-1/2" (x6)

CRIB ASSEMBLY - BACK PANEL ASSEMBLY

5

- 5a. Align the Back Panel (to which the Rear Legs are attached), to the Left and Right Panel as shown in the diagram.
- 5b. Insert the Screws (G) inside the holes provided on the both the Side Panels as shown.
- 5c. Ensure that the alignment is right and Panels are firm before you start using the crib. Do not overtighten.

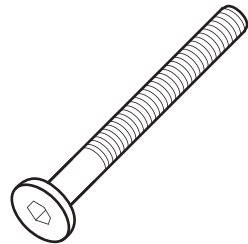
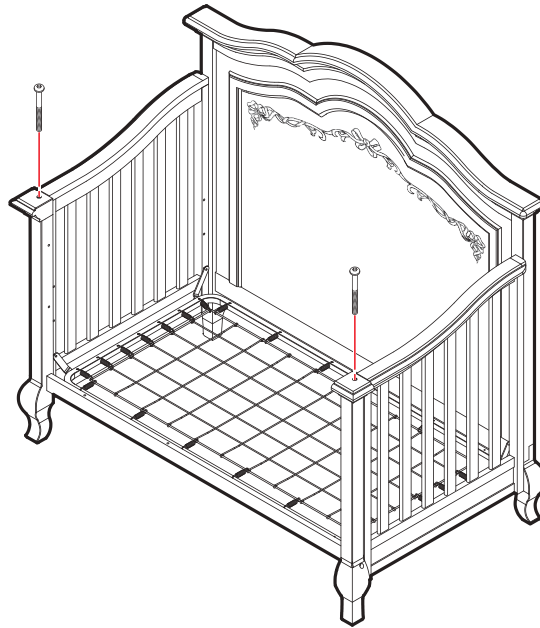


G Screw 2-3/8" (x6)

CONVERSION MODES - DAY BED ASSEMBLY

1

- 1a. In order to convert the crib to Full-Size bed, you must first remove the Front panel of crib.
- 1b. Fix the Conversion Blocks (8) at the top of the Right Front leg and Left Front Leg attached to the side panel, with the help of Screws (F) provided. (Refer the diagram)
- 1c. Then attach the Stabilizer bar using the bolts from the Front Panel removal.
- 1d. Make sure to follow the complete instructions provided with the Toddler Guard Rail.



F Screw 2-3/4" (x2)

NOTE:

- *Make sure mattress support is at the lowest position.
- *Make sure to use Stabilizer bar that is included with Evolur Universal Toddler Guard Rail (SKU- 846) to convert the crib to day bed.

Guard Rail and Stabilizer Bar (NOT INCLUDED, SOLD SEPARATELY)

CONVERSION MODES - TODDLER BED ASSEMBLY

2

- 2a. In order to convert the crib to Full-Size bed, you must first remove the Front panel of the crib.
- 2b. Then attach the Stabilizer bar and Toddler Guard Rail using the bolts from the Front Panel removal.
- 2c. Make sure to follow the complete instructions provided with the Toddler Guard Rail.



NOTE:

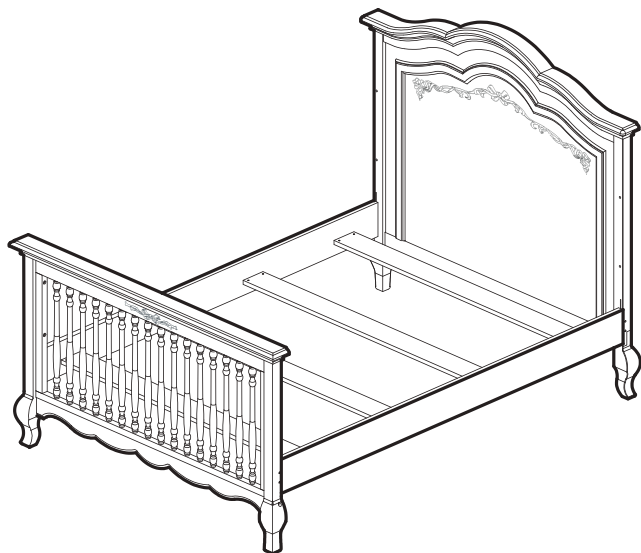
- *Make sure mattress support is at the lowest position.
- *Make sure to use Toddler Guard Rail and Stabilizer bar that is included with Evolur Universal Toddler Guard Rail (SKU-846) to convert the crib to toddler bed.

Guard Rail and Stabilizer Bar (NOT INCLUDED, SOLD SEPARATELY)

CONVERSION MODES- FULL-SIZE BED ASSEMBLY WITH FOOTBOARD

3

- 3a. In order to convert the crib to Full-Size bed, you must first remove the Front panel of the crib.
- 3b. Remove the Mattress Support Panel, followed by Left and Right Panels.
- 3c. Make sure to follow the complete instructions provided with Bed Rails.



NOTE:

***Make sure to use the Evolur Bed Rails (SKU-812) in order to convert the crib to a Full-size Bed with Foot board.**

***Do not put the mattress directly on the wooden slats, use either a Bunking Board, Particleboard, or low-profile Boxspring before placing the mattress.**

Bed Rails (NOT INCLUDED, SOLD SEPARATELY)

FURNITURE CARE INSTRUCTIONS

ROOM CLIMATE CONTROL:

- Wood, when first cut contains more than 50 percent water. When it is prepared for furniture construction it is placed in a Kiln and the moisture content is brought down to 8 to 10 percent. Wood is porous and responds to its environment. If the room has high humidity it will absorb it and expand and if the humidity is low it will lose moisture and shrink.
- It is important that the humidity levels in the room be controlled from extremes of too much humidity or too little. Furniture should not be placed close to air- conditioning outlets, fire places, radiators, space heaters, humidifiers or dehumidifiers. Exposure to extreme variations of temperature and humidity can damage any fine wood product.

THE IDEAL ENVIRONMENT FOR FINE FURNITURE:

- Fine wood furniture will have fewer problems when its environment is controlled at a temperature between 65 and 75 degrees and a relative humidity between 35 and 40 percent. Wood placed in an environment outside of those limits can and will shrink or expand and may develop some small cracks which are not material or structural defects.

STICKING DOORS AND DRAWERS:

- With the minor changes in temperature and humidity doors and drawers may swell and be difficult to open or close. Tolerances have been built into the units but extreme conditions may still cause sticking. This will adjust back to normal over time but until it does consider using a dehumidifier or rub candle wax or paraffin on sides that stick.

AVOID DIRECT SUNLIGHT:

- Keep the furniture out of direct sunlight. Ultraviolet rays will fade colors and in some cases darken them. It can also cause crazing or hair line cracks in the finish. White finishes will yellow naturally over time and exposure to direct sunlight will hasten this natural process along with some woods darkening naturally over time; this is not considered to be a quality defect.

FURNITURE CARE INSTRUCTIONS (cont.)

PROPER STORAGE:

- If you need to put your furniture in storage for any period of time do not store them in a damp basement or hot dry attic. Allow air movement around the furniture and do not stack anything on it.

IN GENERAL:

- Protect furniture surface from hot or extremely cold items.
- Use coasters under hot or cold beverages.
- Do not use synthetic fabric under accessories or lamps.
- Protect tops from pens, markers and crayons.
- Oils from potpourri and other scented items can damage the finish of the furniture.
- Do not drag items across the surface of the furniture.
- Allow the surface to breathe by rotating your accessories and lamps.
- Do not over polish the furniture, do it only two or three times a year. Over polishing can distort the natural finish of the product.
- Do not wax the furniture as wax build up can destroy the natural finish of the product.
- When moving furniture always lift the unit. Do not push or drag it to avoid damage to legs.
- Keep the furniture level so doors and drawers open and close freely.
- Clean with a damp, not wet, cloth. Use only a mild soap. Do not use abrasive cleaners.
- Do not scratch or chip the finish.
- Inspect the product periodically, contact Evolur Inc for replacement parts or questions.
- Do not store the product or any parts in extreme temperatures and conditions such as a hot attic or a damp, cold basement. These extremes can cause a loss of structural integrity.
- To preserve the luster of the high-quality finish on your product, it is recommended to place a doily or felt pad under any items you place on the finish.
- Clean with a damp cloth, then a dry cloth to preserve the original luster and beauty of this fine finish.

FURNITURE CARE INSTRUCTIONS (cont.)

- Do not use abrasive chemicals.
- Do not spray cleaners directly onto furniture.
- Lift slightly when moving on carpeting to prevent leg breakage.
- Use of a vaporizer near furniture will cause wood to swell and to peel.

YOU DID IT...!

Congratulations Mom & Dad !

It's time to create your dream nursery. A safe, elegant handcrafted crib that grows with your little one.



1532, S. Washington Avenue
Piscataway, NJ 08854
E-mail: info@evolurbaby.com

www.evolurbaby.com

Follow us on



@EvolurBaby



@evolurbaby

to get your nursery featured on our social media.

Enter our monthly giveaway!

Simply scan the QRcode to register.

Chat with us!

For any questions or concerns or feedback.

