



Scan the QR code to register your product
<https://www.evolurbaby.com/customer-care/product-registration/>



Convertible Crib

Adult assembly required.
Small parts may present choking hazard prior to assembly.

Enclosed please find simple step-by-step instructions to help you quickly assemble your product. Before you begin we recommend that you follow the steps below:

1. Please read the instructions thoroughly
2. Identify all parts and hardware.
3. You may need to provide the following tools:
Philips Head screw driver
Flat head screw driver
Hammer.

⚠ Do Not Use Power Drills or Drivers

To protect your parts during assembly please place them on a soft surface. To clean surface use only water on a damp cloth. Do not use window cleaners or cleaning abrasives as it will scratch the surface and could damage the protective coating.

PARTS LIST

REF.	PART NAME	QUANTITY
1.	Crib End Left	1
2.	Crib End Right	1
3.	Backboard	1
4.	Footboard	1
5.	Stabilizer Bar	1
6.	Feet	4
7.	Metal Spring Support Platform	1
8.	Guard Rail (Not Included, Sold Separately)	1
9.	Bed Rails (Not Included, Sold Separately)	2



Model shown is example only.
Styles may vary.

ÉVOLUR - 1532, S. Washington Avenue Piscataway, NJ 08854

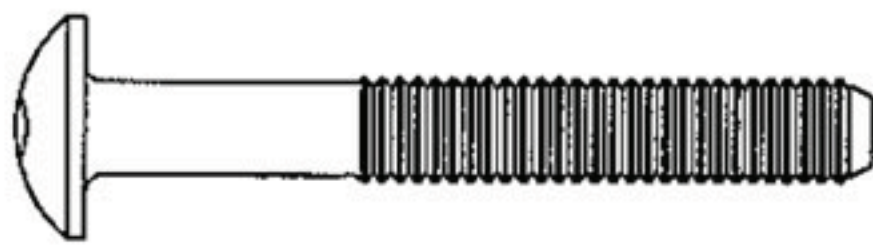
HARDWARE AND TOOL DIAGRAM



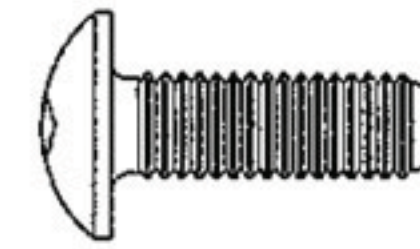
A X 4 (3-1/4")



B X 4



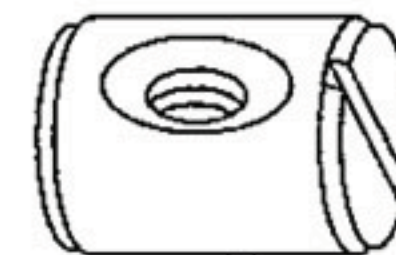
C X 12 (1-3/4")



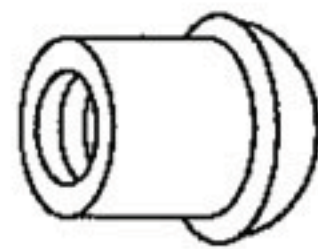
D X 4 (3/4")



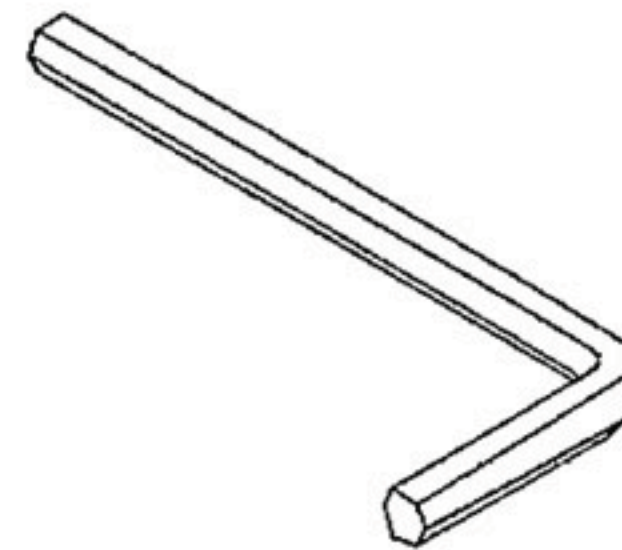
E X 6 (1-1/8")



F X 4



G X 6



H X 1

WARNING!

- FAILURE TO FOLLOW THESE WARNINGS AND ASSEMBLY INSTRUCTIONS COULD RESULT IN SERIOUS INJURY OR DEATH.
- TO REDUCE THE RISK OF SIDS, PEDIATRICIANS RECOMMEND HEALTHY INFANTS BE PLACED ON THEIR BACKS TO SLEEP, UNLESS OTHERWISE ADVISED BY YOUR PHYSICIAN.
- CHECK THIS PRODUCT FOR DAMAGED HARDWARE, LOOSE JOINTS, MISSING PARTS OR SHARP EDGES BEFORE AND AFTER ASSEMBLY AND FREQUENTLY DURING USE.
- **DO NOT USE THIS CRIB IF ANY PARTS ARE MISSING, DAMAGED OR BROKEN. CONTACT ÉVOLUR 1532 S WASHINGTON AVE U 2, PISCATAWAY TWP NJ 0854 FOR REPLACEMENT PARTS.**
- **DO NOT USE A WATER MATTRESS WITH THIS CRIB.**
- READ ALL INSTRUCTIONS BEFORE ASSEMBLING CRIB. **KEEP INSTRUCTIONS FOR FUTURE USE.**
- IF REFINISHING, USE A NON-TOXIC FINISH SPECIFIED FOR CHILDREN'S PRODUCTS.

STRANGULATION HAZARD:

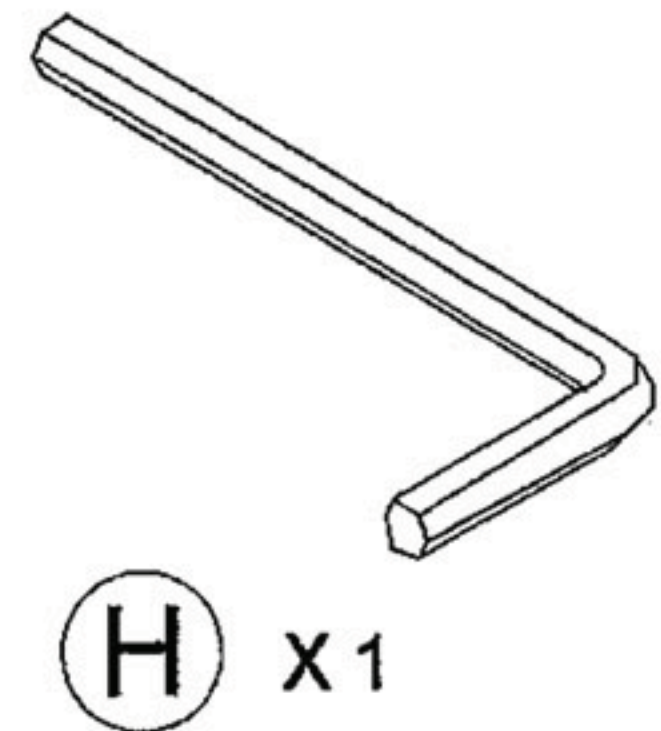
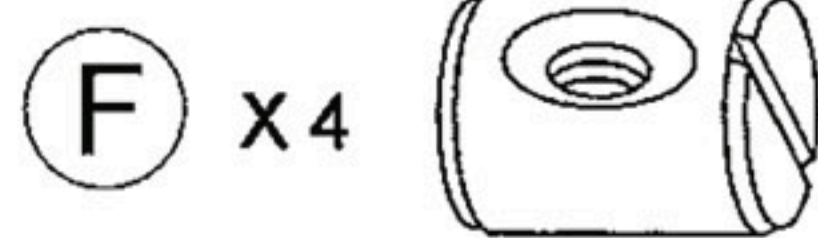
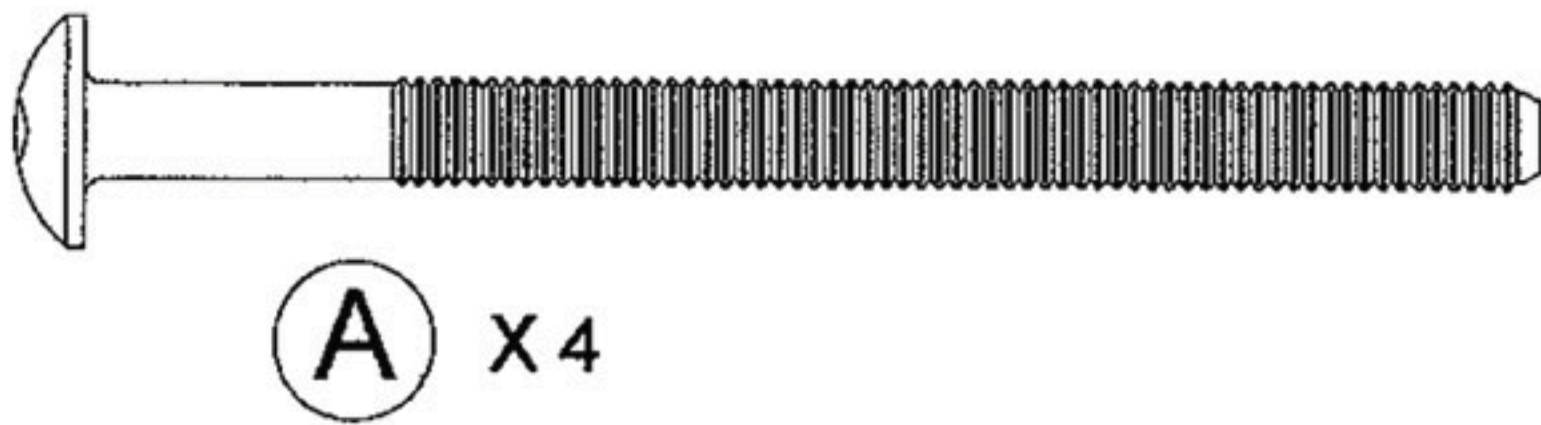
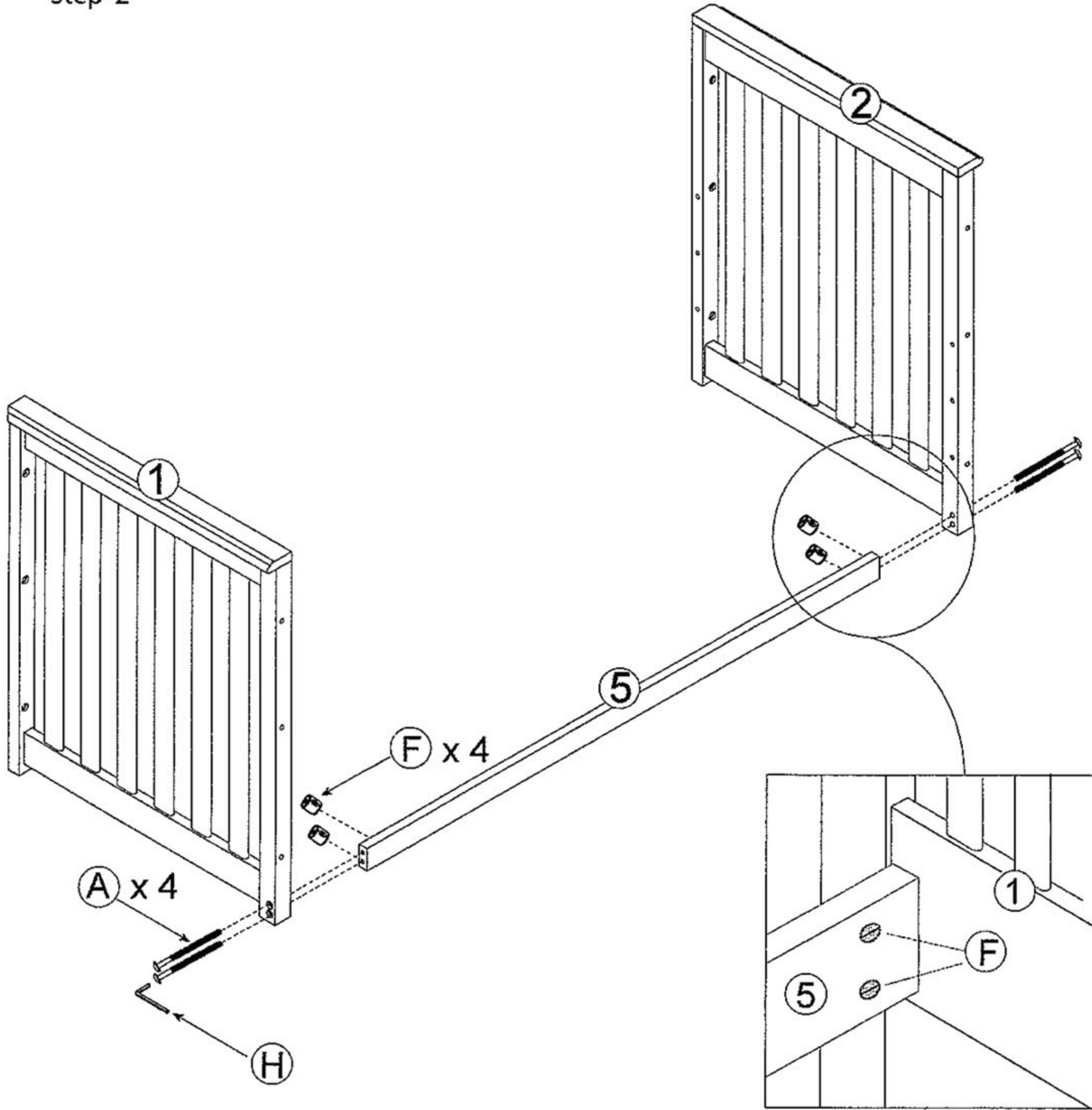
- STRINGS CAUSE STRANGULATION! DO NOT PLACE ITEMS WITH A STRING AROUND A CHILD'S NECK, SUCH AS HOOD STRINGS OR PACIFIER CORDS. **DO NOT SUSPEND STRINGS OVER A CRIB OR ATTACH STRINGS TO TOYS.**
- TO HELP PREVENT STRANGULATION TIGHTEN ALL FASTENERS. A CHILD CAN TRAP PARTS OF BODY OR CLOTHING ON LOOSE FASTENERS.
- **DO NOT PLACE CRIB NEAR WINDOW WHERE CORDS FROM BLINDS OR DRAPES MAY STRANGLE A CHILD.**
- INFANTS CAN SUFFOCATE ON SOFT BEDDING.
- NEVER ADD A PILLOW, COMFORTER OR PADDING.
- NEVER PLACE ADDITIONAL PADDING UNDER INFANT.
- NEVER USE PLASTIC SHIPPING BAGS OR ANY PLASTIC FILM AS MATTRESS COVERS, BECAUSE THEY CAN CAUSE SUFFOCATION.
- INFANTS CAN SUFFOCATE IN GAPS BETWEEN CRIB SIDES AND A MATTRESS THAT IS TOO SMALL. **ANY MATTRESS USED IN THIS CRIB MUST BE AT LEAST 27-1/4 IN (69 CM) BY 51-5/8 IN (131 CM), WITH A THICKNESS NOT EXCEEDING 6 IN (15CM) AND A MINIMUM THICKNESS OF 4 IN (10 CM).** THE DIMENSIONS OF THE MATTRESS SHALL BE TAKEN FROM SEAM TO SEAM OR EDGE TO EDGE WHERE APPROPRIATE.

FALL HAZARD

- WHEN CHILD IS ABLE TO PULL TO STANDING POSITION, SET MATTRESS TO LOWEST POSITION AND REMOVE BUMPER PADS, LARGE TOYS AND OTHER OBJECTS THAT COULD SERVE AS STEPS FOR CLIMBING OUT.
AFTER RAISING SIDE, MAKE SURE LATCHES ARE SECURE (*DISREGARD FOR NON-DROP SIDE CRIB*).
- **DO NOT LEAVE CHILD IN CRIB WITH SIDES LOWERED. BE SURE SIDE IS IN RAISED AND LOCKED POSITION WHENEVER CHILD IS IN CRIB (*DISREGARD FOR NON-DROP SIDE CRIB*).**
- STOP USING CRIB WHEN CHILD BEGINS TO CLIMB OUT OR REACHES THE HEIGHT OF 35 IN (89 CM).
- WHEN STORING CRIB USE CAUTION AS EXTREME CHANGES IN TEMPERATURE OR HUMIDITY CAN COMPROMISE THE CRIB MAKING IT EXTREMELY DANGEROUS TO YOUR CHILD.
- USE CAUTION WHEN A VAPORIZER OR HUMIDIFIER IS IN USE. ALWAYS AIM VAPOR AWAY FROM THE CRIB AS WELL AS ANY OTHER WOODEN FURNITURE. PROLONGED PERIODS OF HUMIDITY IN STORAGE AS WELL AS IN THE HOME CAN COMPROMISE THE CRIB.
- AVOID USING VAPORIZERS AND HUMIDIFIERS FOR PROLONGED PERIODS OF TIME.
- FOLLOW WARNINGS ON ALL PRODUCTS IN CRIB.

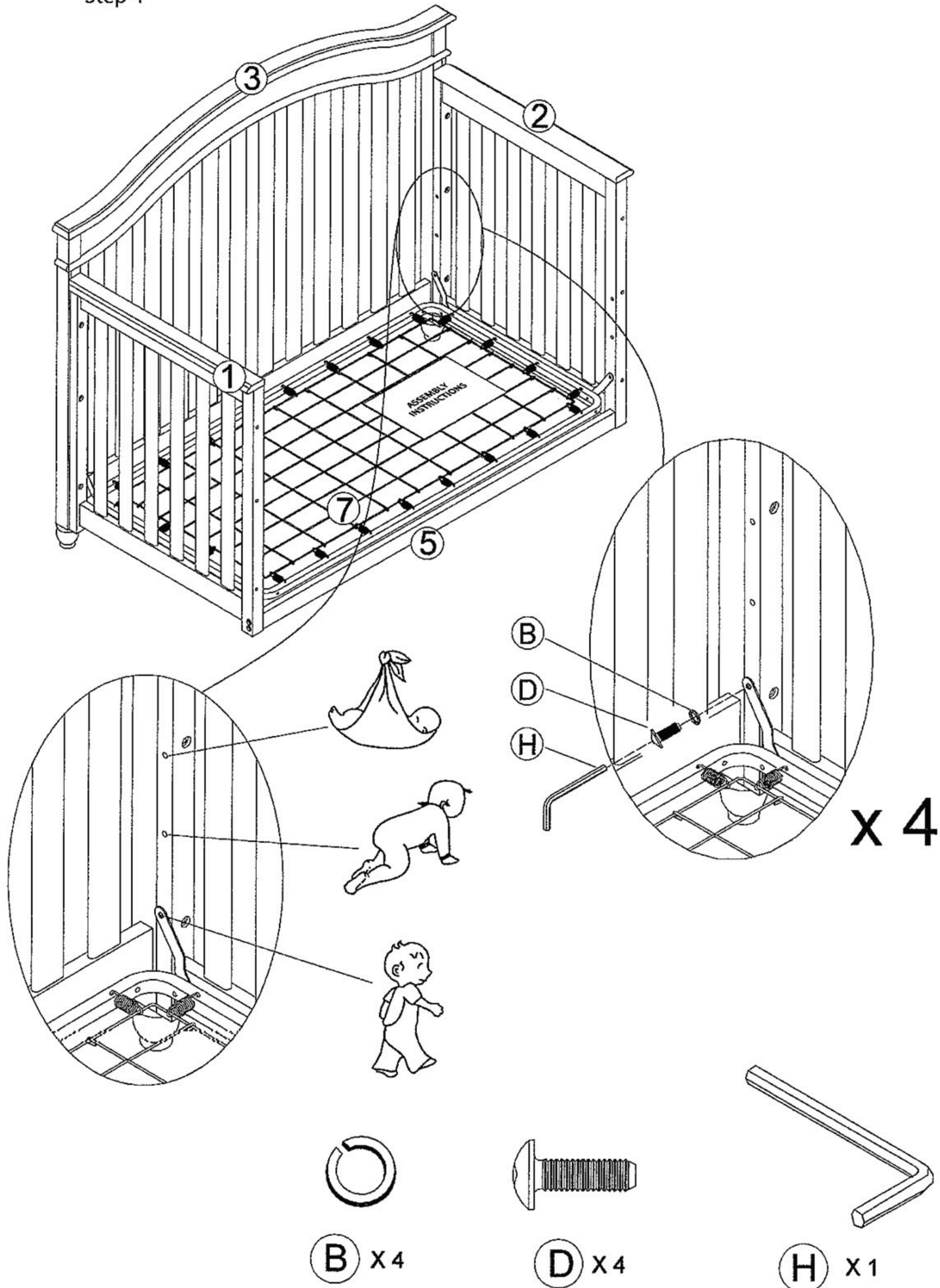
ASSEMBLY INSTRUCTIONS (continued)

Step 2

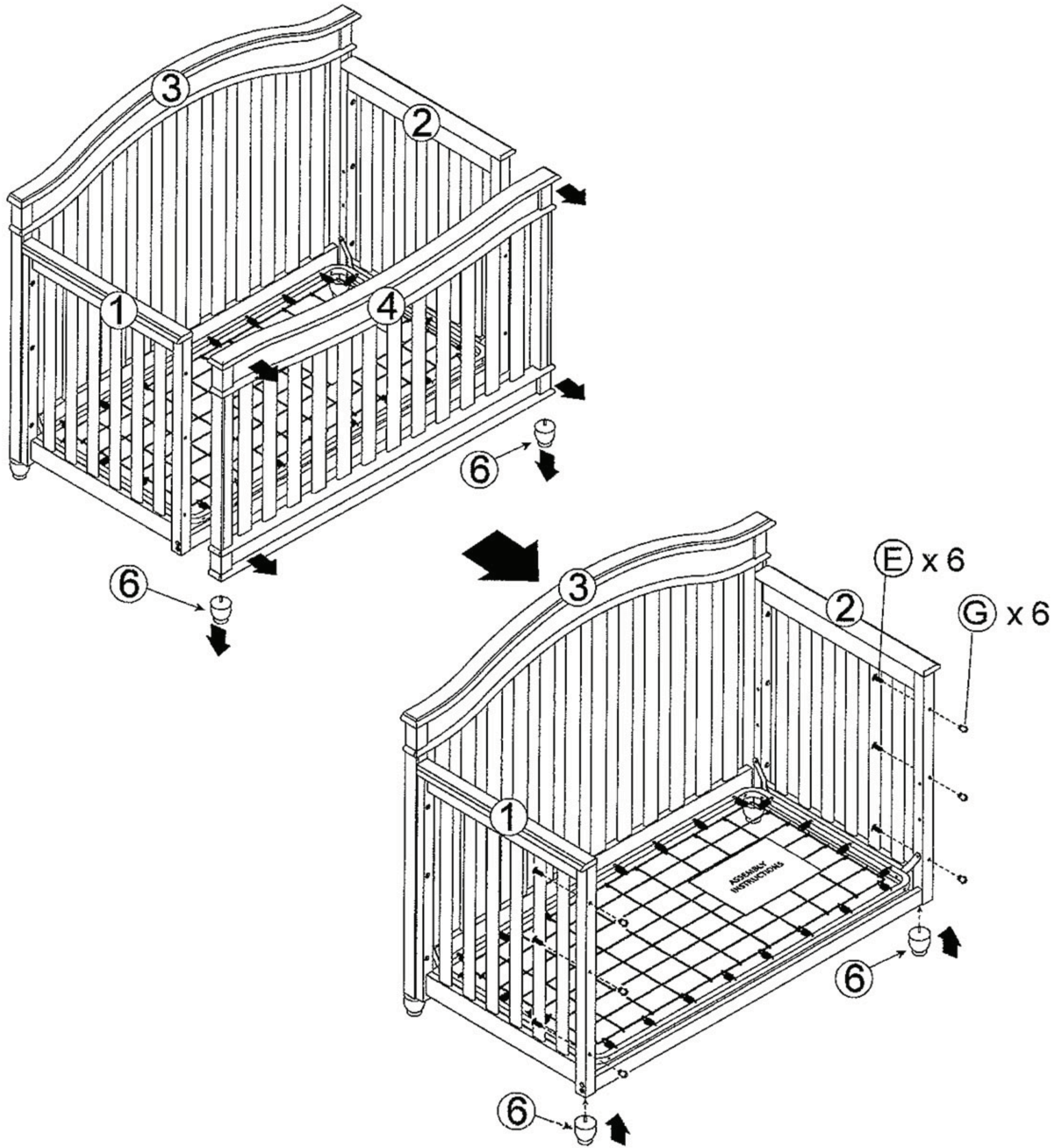


ASSEMBLY INSTRUCTIONS (continued)

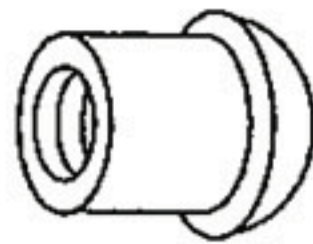
Step 4



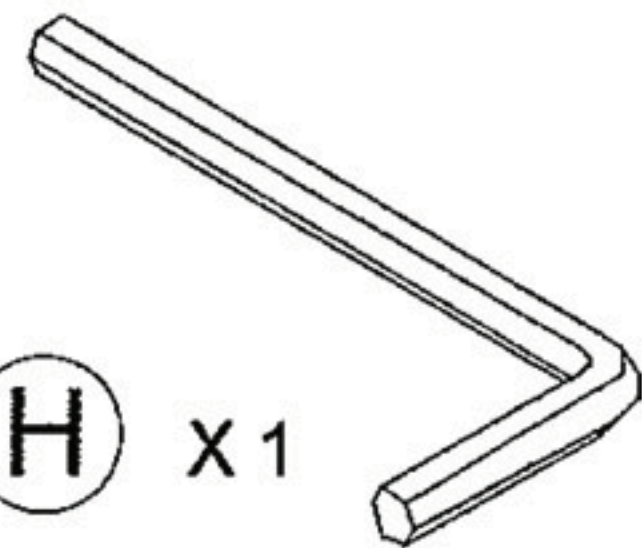
Day Bed Conversion



(E) x 6

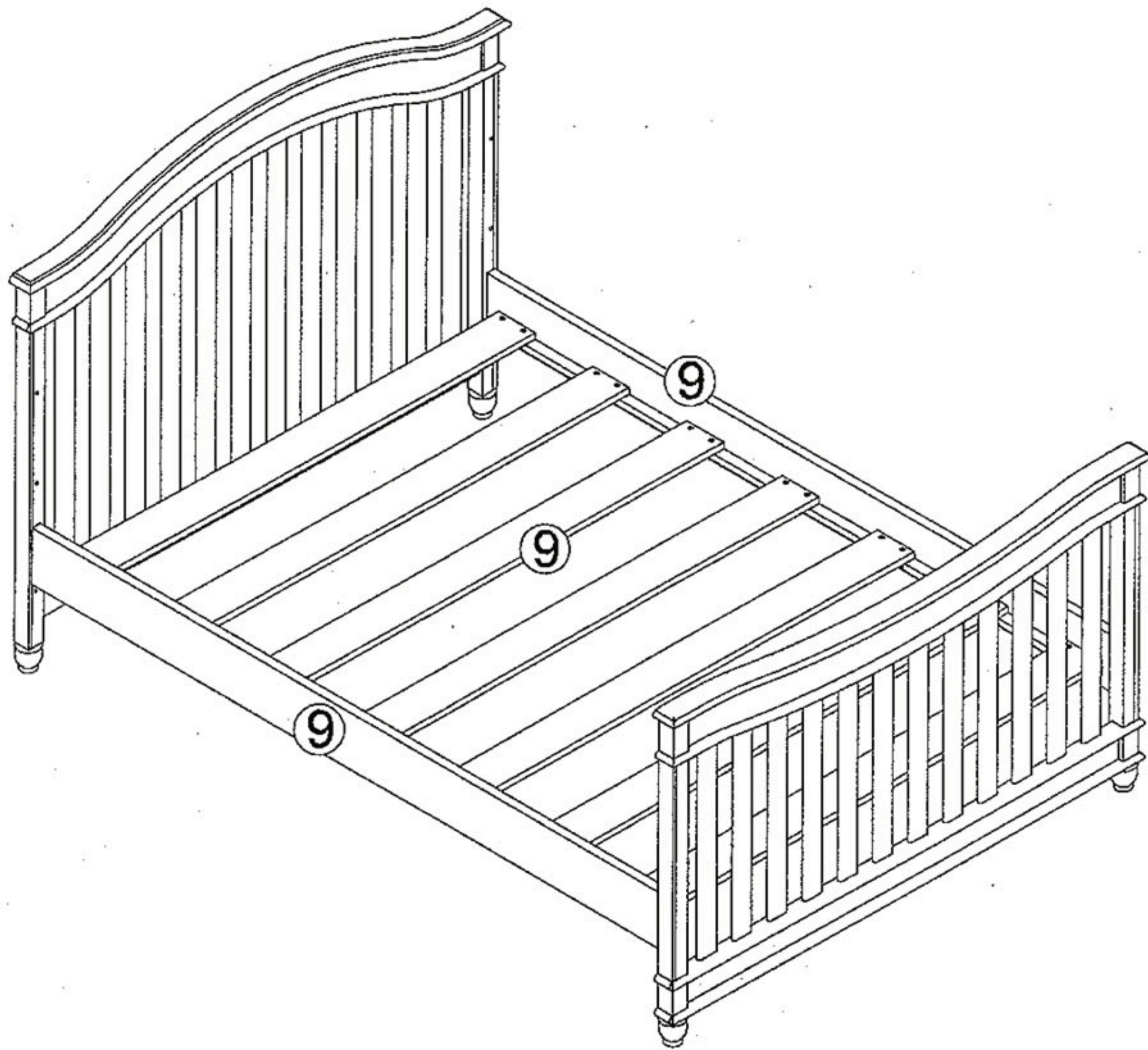


(G) x 6



(H) x 1

Full Size Bed Conversion



9 X 2 Bed Rails (*Not Included, Sold separately*)



1532, S. Washington Avenue
Piscataway, NJ 08854
E-mail: info@evolurbaby.com

www.evolurbaby.com

Follow us on

 @EvolurBaby  @evolurbaby

to get your nursery featured on our social media.

Enter our monthly giveaway!

Simply scan the QRcode to register.



Chat with us!

For any questions or concerns or feedback.

